

APC Products Limited

www.pailclosures.com

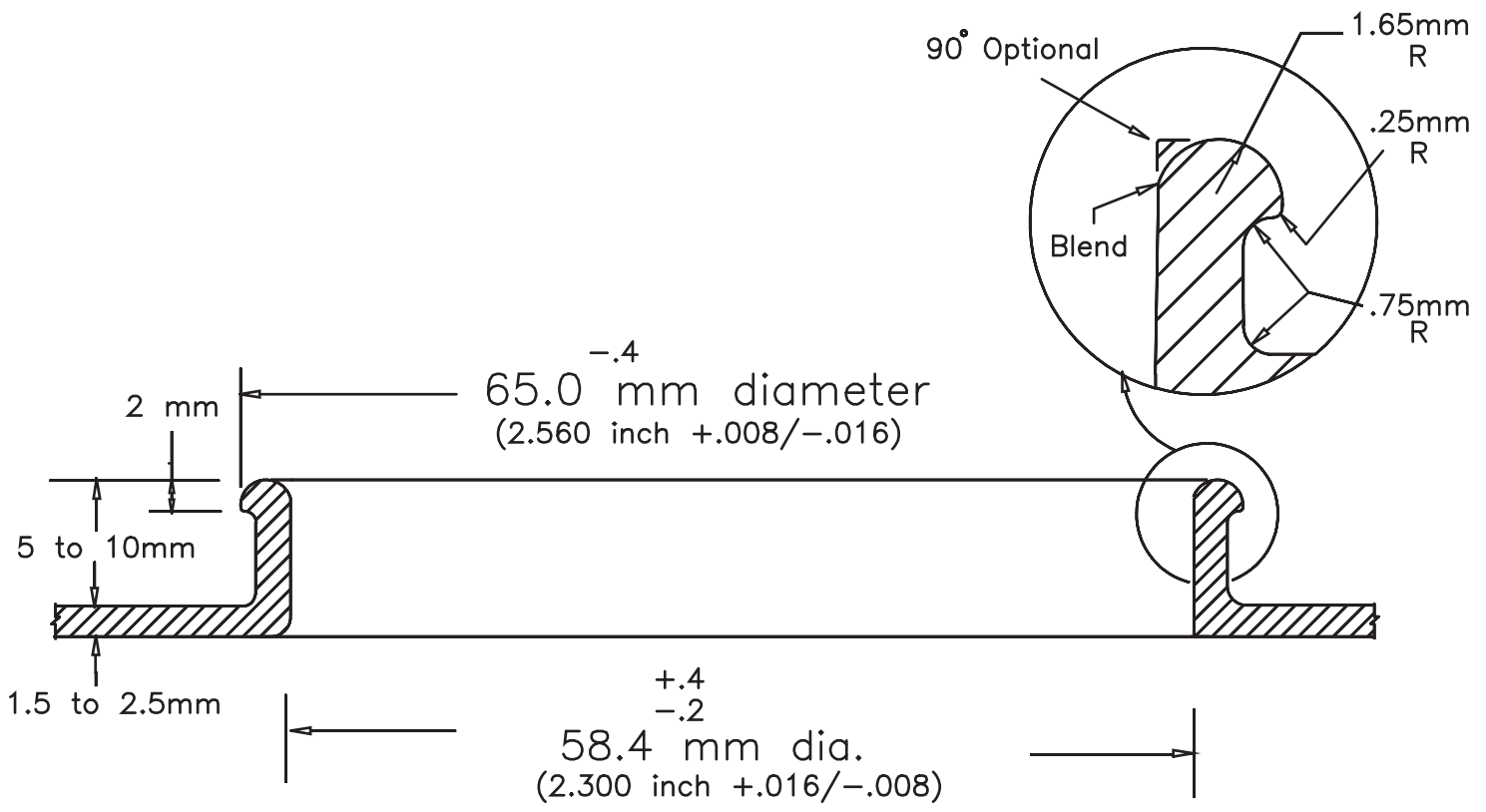
Tel: 905-457-0887

Fax: 905-459-3983

APC-2-MV PRODUCT SPECIFICATION 9-2-MV

DESCRIPTION	APC-2-MV PLASTIC PAIL CLOSURE WITH MICROPOROUS VENT
PART NUMBERS	APC-25-MV for 5 mm minimum cover bead height APC-27-MV for 7 mm minimum cover bead height
PART DRAWINGS	AD9-2-MV Rev 3 APC-2-MV Closure with Microporous Vent AD9-2.4 Rev 3 APC-1, APC-2 & APC-4 Cover Opening
CLOSURE SIZE	Same as APC-2
COVER OPENING	65 mm (2.56 inch) cover beaded rim outside diameter AD9-2.3 Rev 5 APC-1 & 2 Closure Assembly & Cover Opening
CLOSURE WEIGHT	27 Grams +/- 1
MATERIAL & COLOR	FDA approved virgin resins CAP – high density polyethylene, white BODY – EVA co-polymer low density polyethylene, natural VENT – Polytetrafluoroethylene (PTFE), manufacturer specs available.
TAMPER EVIDENCE	CAP – 4 tabs must be broken to lift 2 bails BODY – internal diaphragm with pull ring molded into spout
INSTALLATION	Same as APC-2 Installation
PERFORMANCE *	Hydrostatic leak test target: 30 kPa (4.5 psi) water for 30 minutes Microporous vent acts as filter which passes gas but blocks liquid, and should be sealed to perform the above hydrostatic test.
PTFE COMPATIBILITY	Testing must be done to determine if packaged product is compatible with PTFE microporous membrane vent. Adverse effects may include blocking of vent holes or wetting through. To improve the performance of PTFE vents, use optional APC-1-MV closure with inner “splash guard”
APPLICATION *	The closure is designed for UN Packing Group II and III applications up to 30 kPa subject to performance and product compatibility testing. Do not use for hot fill applications or UN Packing Group I applications.
CONTROL OF CHANGE	Specifications are subject to change. APC-2-MV buyers on record will be notified. Product is color coded with yellow labels on boxes.

* These product specifications are intended as a guide only. Closures are manufactured under a TS16949 quality program. Sample closures are available for product testing. It is the responsibility of the buyer and filler to ensure the closure and PTFE vent meets the product compatibility and performance requirements for both regulated and non-regulated packaging applications.



NOTE: MAXIMUM OVALITY = 2 mm

	APC Products Limited CANADA www.pailclosures.com
REV 3 ISSUED NEW COVER OPENING 7-07 DRAWING	APC-1, APC-2 & APC-4 COVER OPENING
REV 2 INCREASE MAX. OVALITY 1-99 ADDED NOTE ON BEAD HEIGHT	
EXHIBIT 9-2.4 DRAWN BY R. STURK	SCALE 2:1 DRAWING AD9-2.4